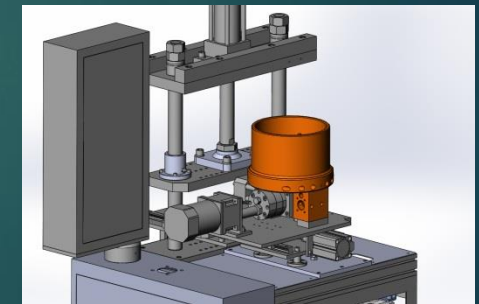
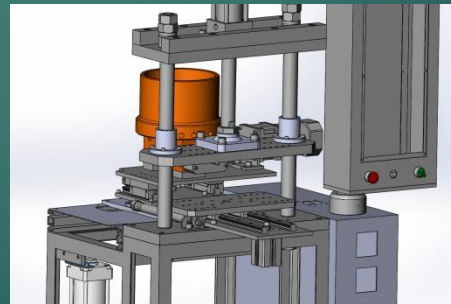
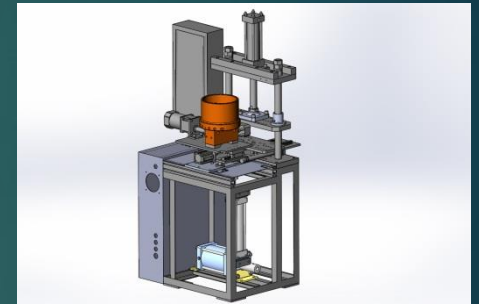
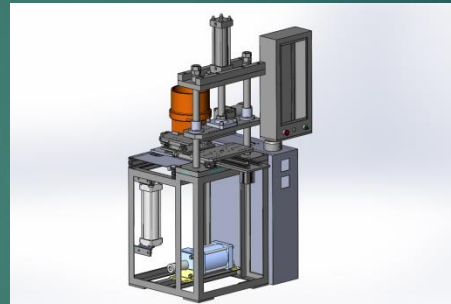




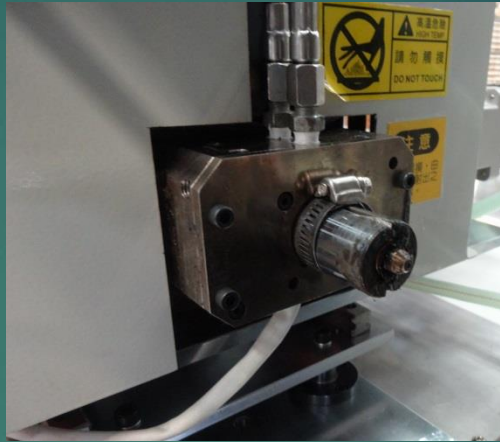
# Yuh-Dak North America Inc.

LOW PRESSURE  
INJECTION MOLDING  
TURN-KEY SOLUTION

# KL9 Low Pressure Molding Machine Outlook



# Machine Outlook



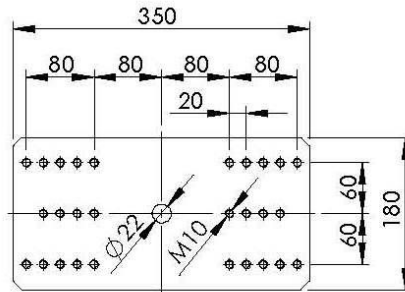
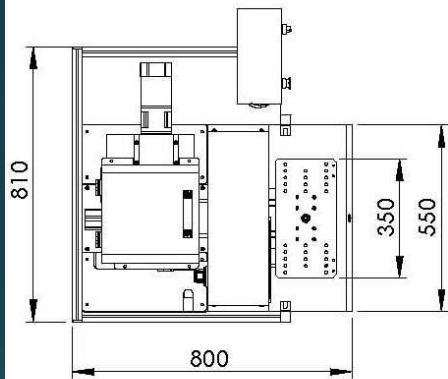
Machine Specification		1 ton	4 tons
<b>Injection Unit</b>			
Injection Type		Horizontal Injection	
Capacity	l	3.5	
Injection Capacity	cm <sup>3</sup> / r	8.98	
Pump Speed	r.p.m	0 ~ 51	
Nozzle Stroke	mm	30	
Nozzle Contact Force	ton	0.12	
<b>Clamping Unit</b>			
Clamping System		Air Hydro booster	
Clamping Force	ton	1	4
Opening Stroke	mm	160	
Mould Space	mm	285	
Min Mould Space	mm	125	
Overall Size of Platens	mm	480 * 140	
Space Between Columns	mm	360	
Ejector Force	ton	0.12 (Pneumatic)	
Ejector Stroke	mm	UP 10	



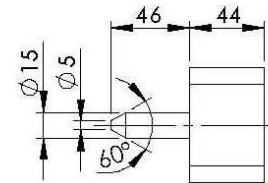
Machine Specification		1 ton	4 tons
<b>Electrical Equipment &amp; General</b>			
Power Source / Voltage	V / HZ	1 ø 220/(50/60)	
Drive Motor	kw	0.12	
Heater	kw	3.92	
Temperature Control Zone	zone	3	
Pressure Pneumatic	kg / cm <sup>2</sup>	6	
Dimension of Machine (L*W*H)	m	1.2*1.0*1.8	
Weight of Machine	ton	0.3	
<b>Option</b>			
Size Of Slide Table	mm	340*140	
Slide Table Stroke	mm	200	



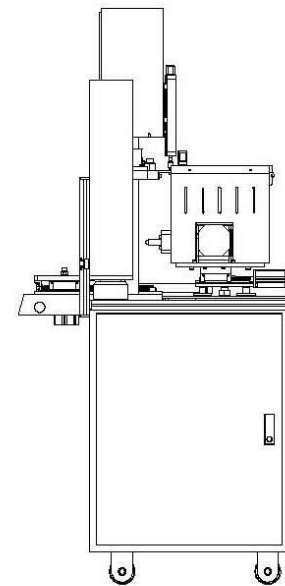
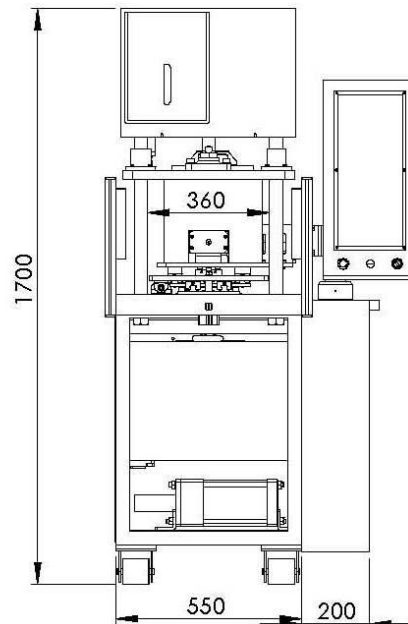
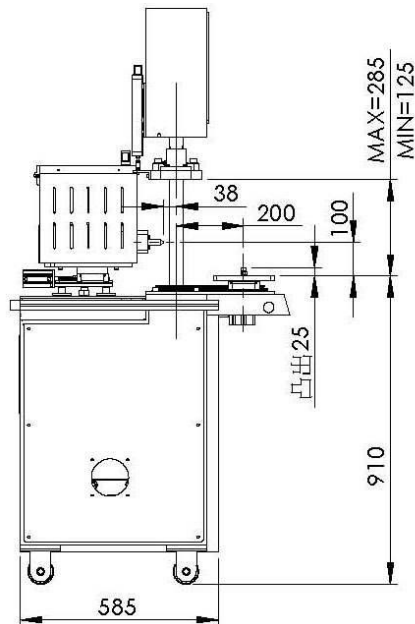
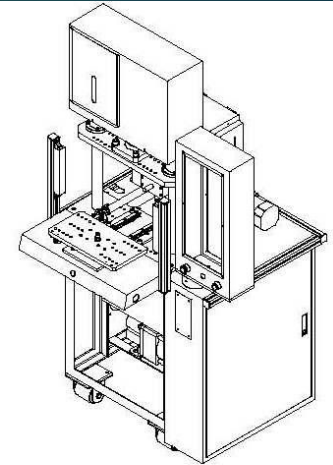
# Machine Outlook Dimension



滑板詳圖



射嘴詳圖

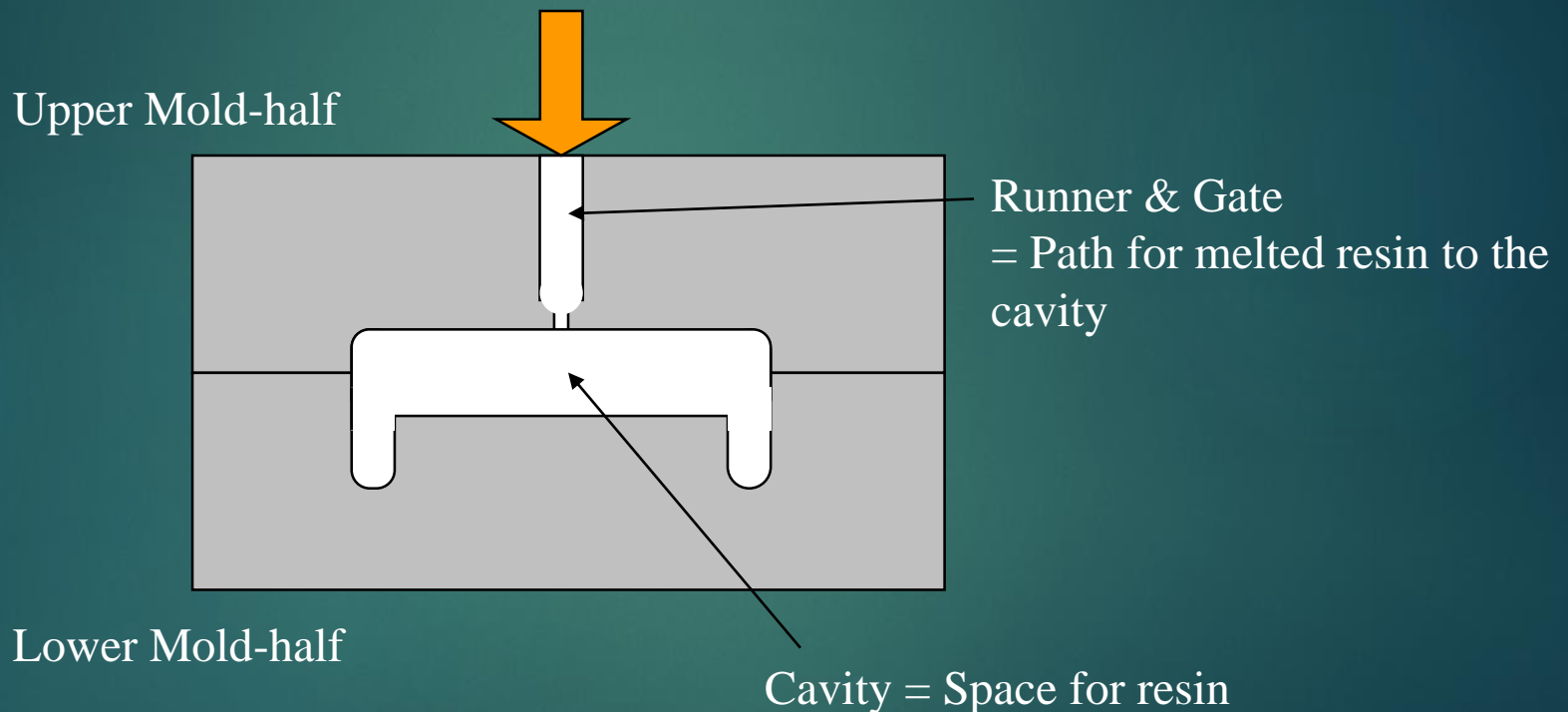


## <注意>

1. 夾模行程: 160mm.
2. 最小模厚: 125mm
3. 最大空間: 185mm
4. 柱內距: 360mm
5. 射嘴行程: 50mm
6. 射嘴高度: 100~150mm
7. 滑板行程: 200mm
8. 滑板尺寸: 350x180
9. 射嘴角度: 60°
10. 頂出行程: 凸出25mm

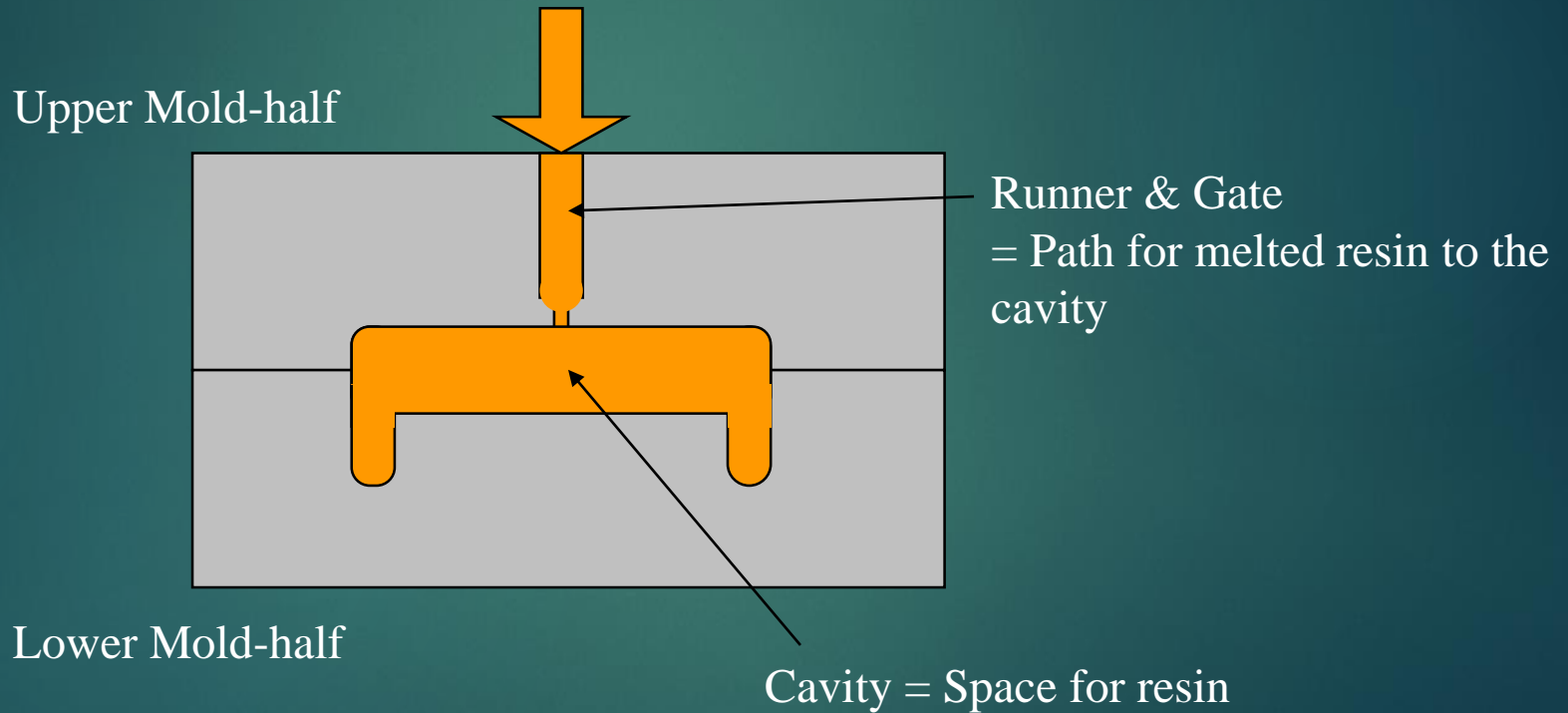
# Low Pressure Water Resistance Injection Molding

Introduction- What is molded products?



# Low Pressure Water Resistance Injection Molding

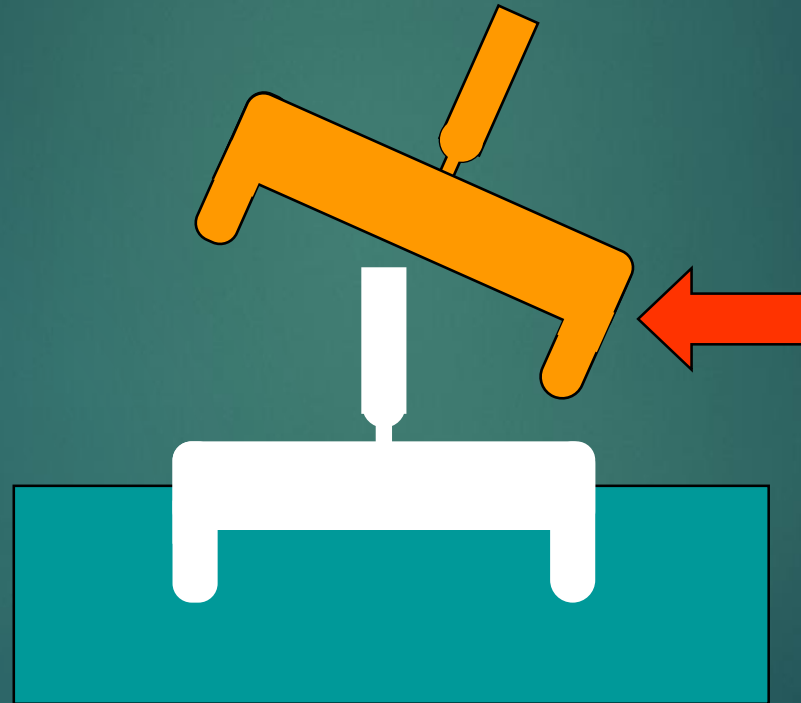
Introduction- What is molded products?





# Low Pressure Water Resistance Injection Molding

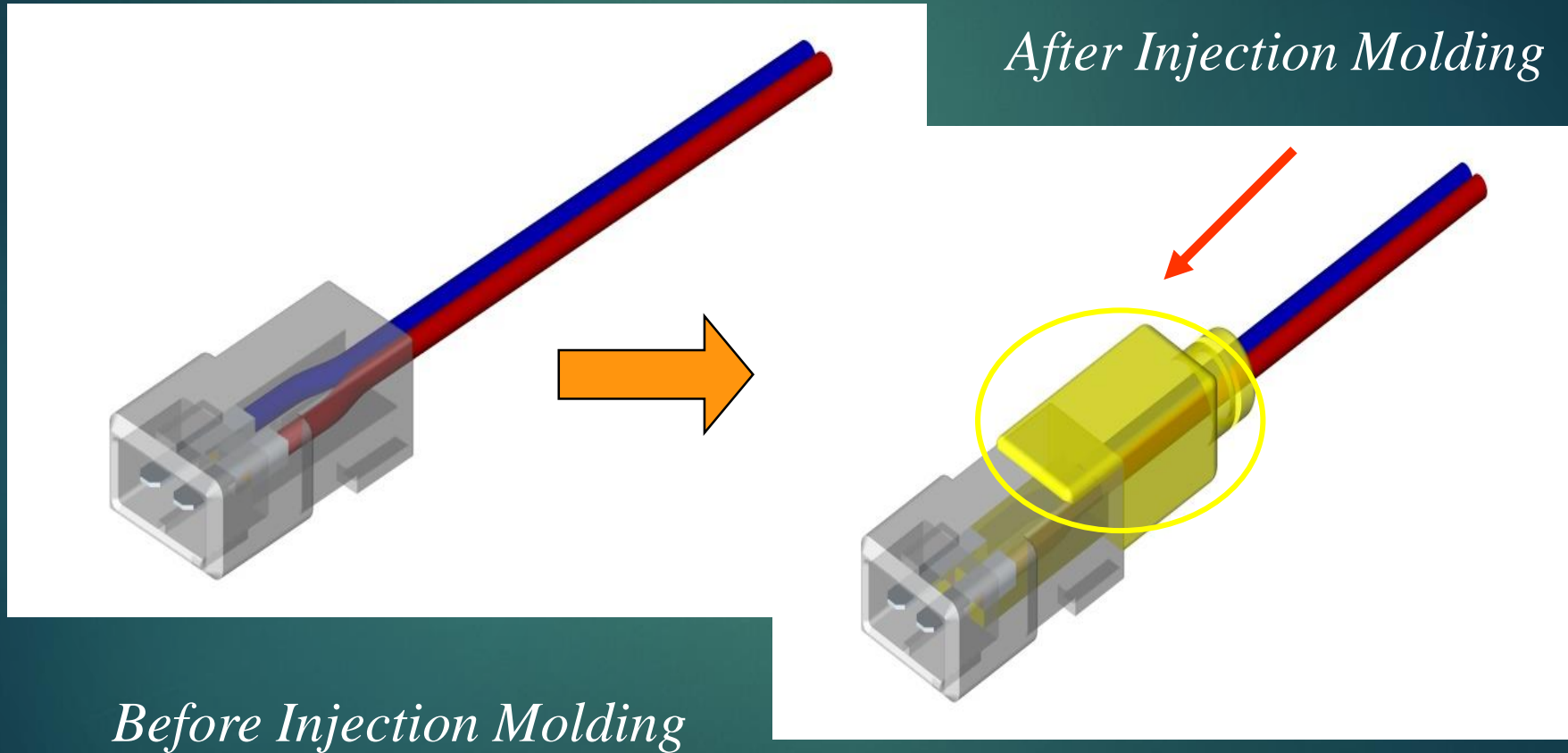
Introduction- What is molded products?



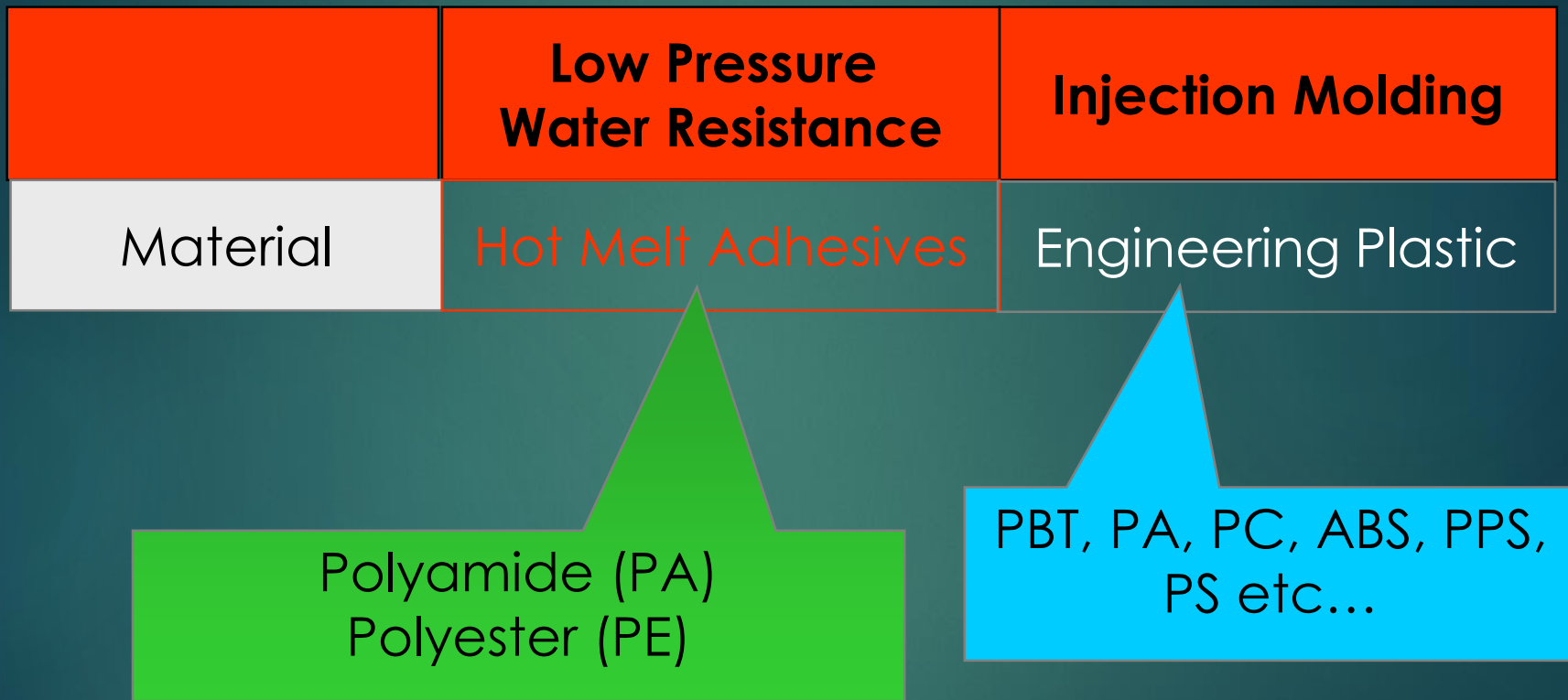
Finished Molding Product

# Low Pressure Water Resistance Injection Molding

Introduction- What is inserted molding?



# Low Pressure Water Resistance Injection Molding



DIFFERENCE :

**Melt Flow Index, Bonding, Molding Cycle Time**

# Low Pressure Water Resistance Injection Molding

	Low Pressure Water Resistance	Injection Molding
Material	Hot Melt Adhesives	Engineering Plastics
Viscosity	Very Low	Very High
Molding Pressure	Very Low	Very High

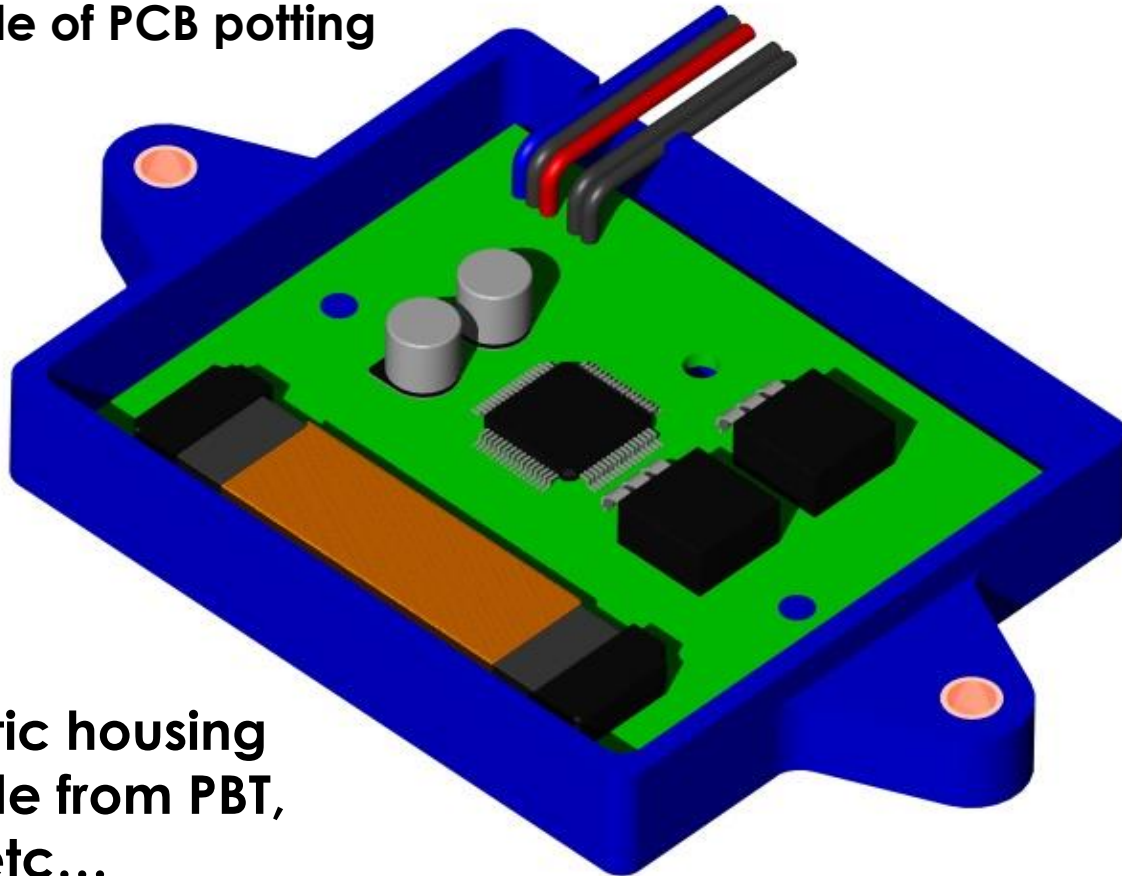
5~40bar  
180~240°C  
-No damage to inserted components

Over 400bar  
230~300°C  
-High enough to break inserted components

# Low Pressure Water Resistance Injection Molding

Comparison: Molding vs. Potting

**Example of PCB potting**

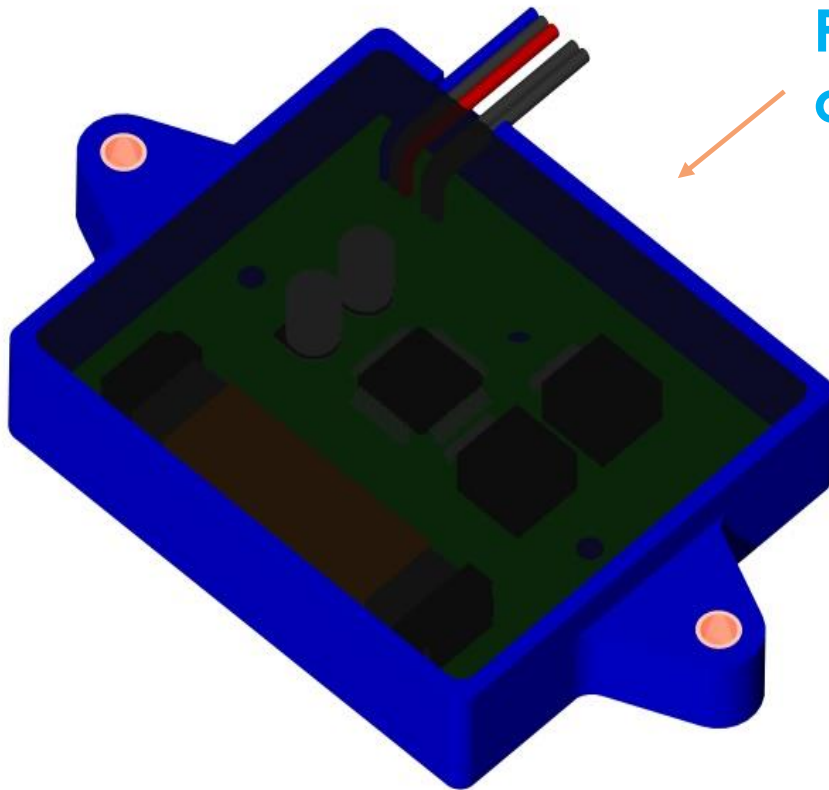


**Plastic housing  
made from PBT,  
PA etc...**

# Low Pressure Water Resistance Injection Molding

Comparison: Molding vs. Potting

Example of PCB potting



Potting with Epoxy  
or Silicon

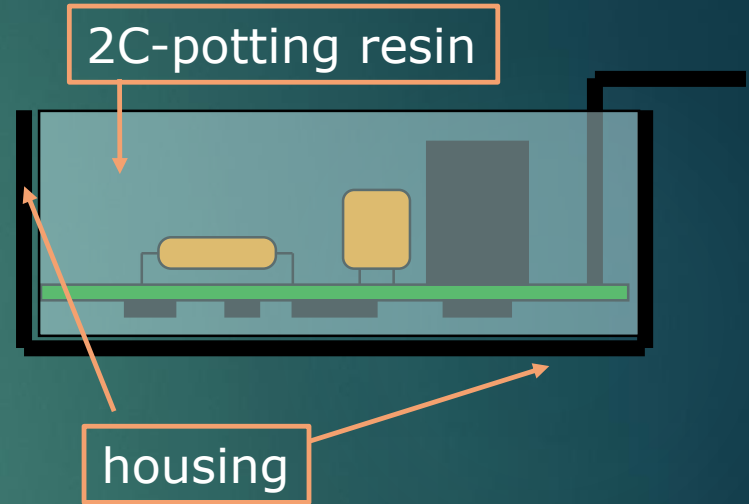
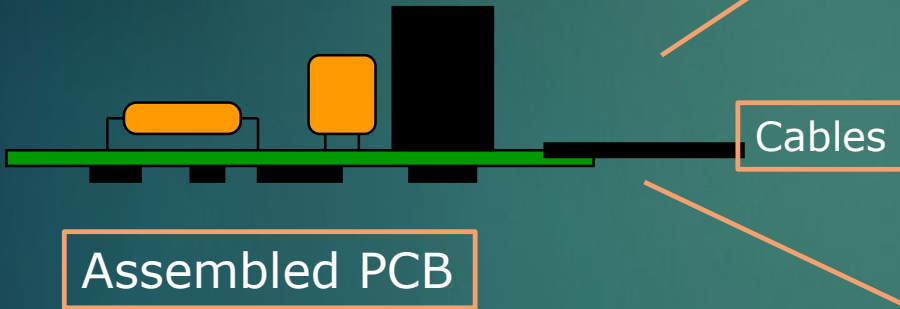
A B component Mixe

Potting

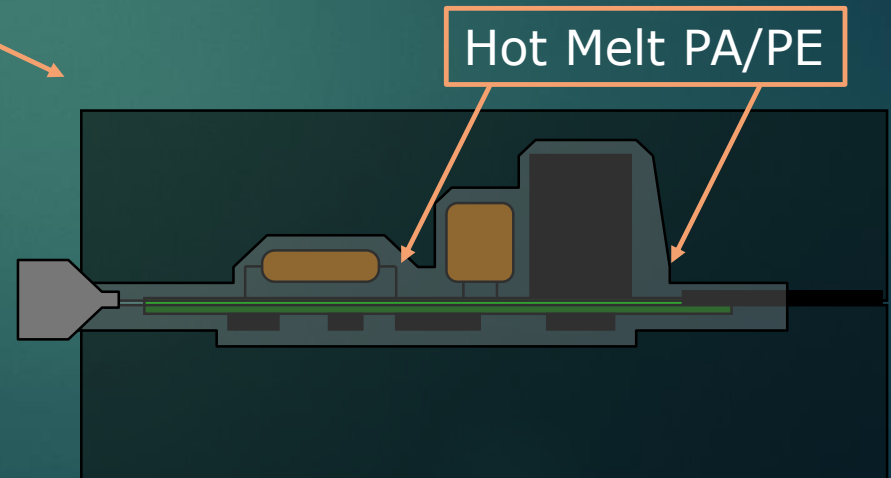
Curing  
(Waiting for 12-72hrs)

# Example : Comparison- Molding vs. Potting

**PCB size:30\*60\*25 (W\*D\*H)**  
**Estimated potting weight: 60~90g/pc**  
**Density of Epoxy/ silicon about 1.3~1.7g/cm<sup>3</sup>**  
**Case: Essential**



**PCB size:30\*60\*25 (W\*D\*H)**  
**Estimated weight of hotmelt: 10~20g/pc (density=1)**  
**\*can be molded in different shape and construction**  
**Case: not always necessary**



# GPS





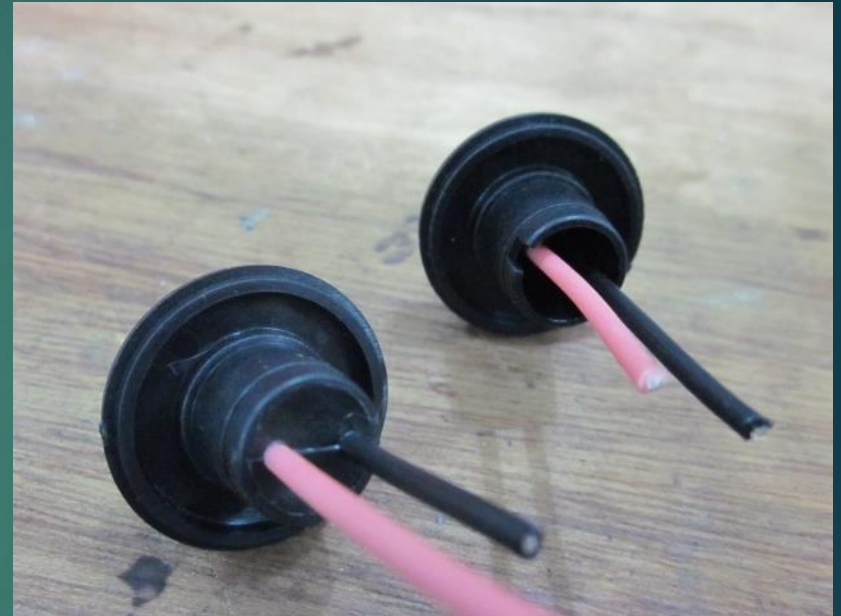
# Connect Wire for Event Data Recorder.



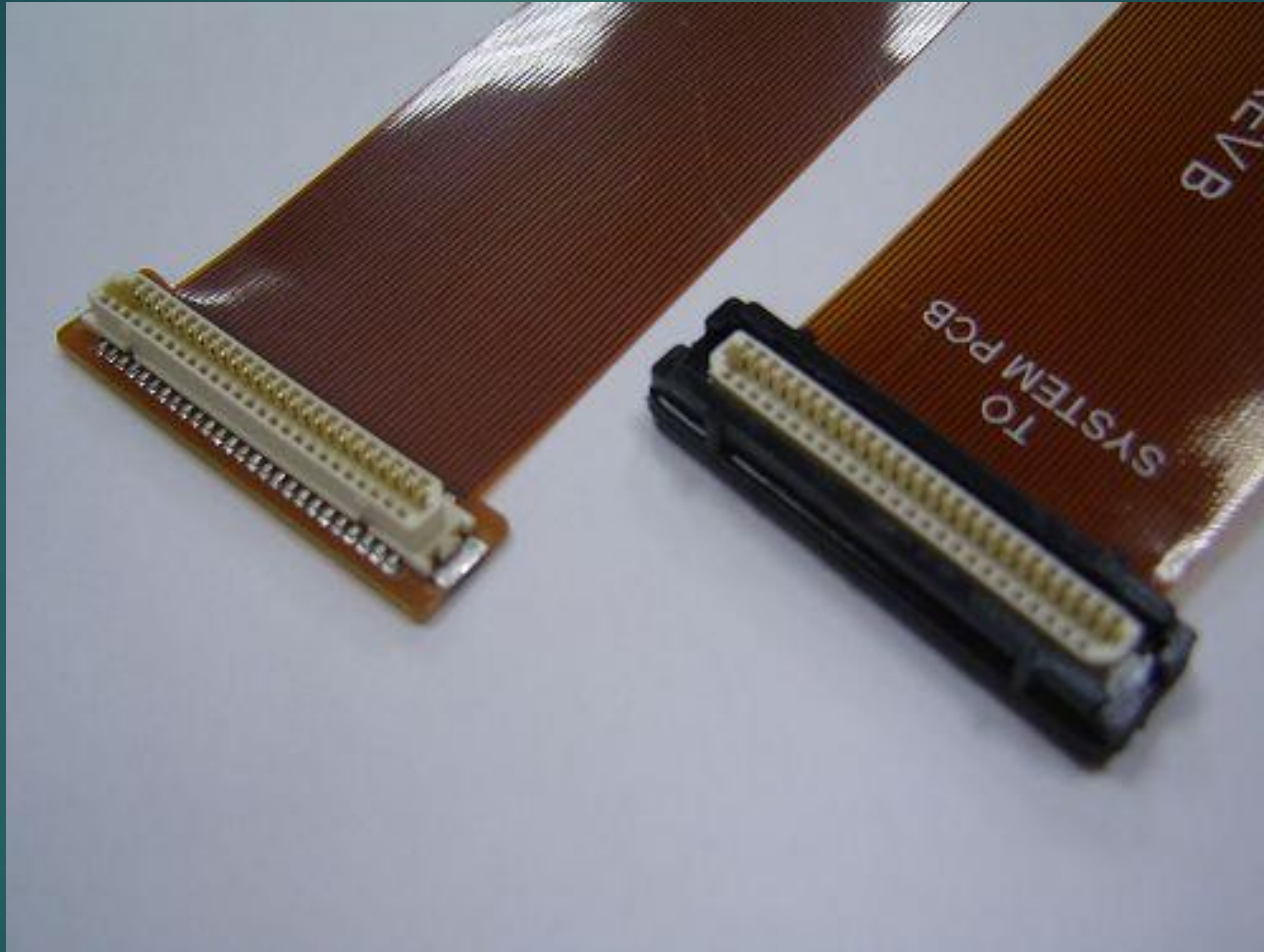
# Lambda Sensor



# Inner Plug for Automobile Lamp



# FPC STRUCTURE



# Automobile Relay



# Water Resistance & Air Tight



Water Resistance  
Controller

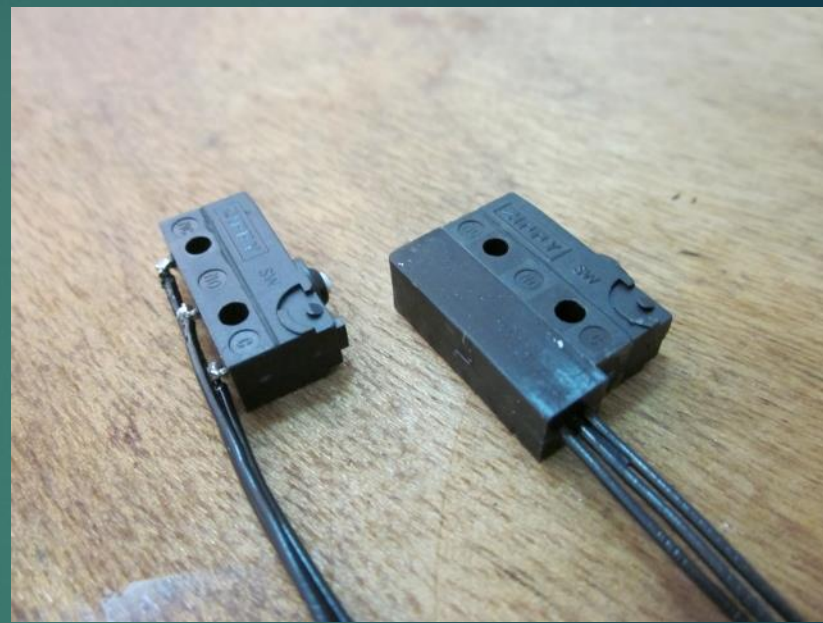
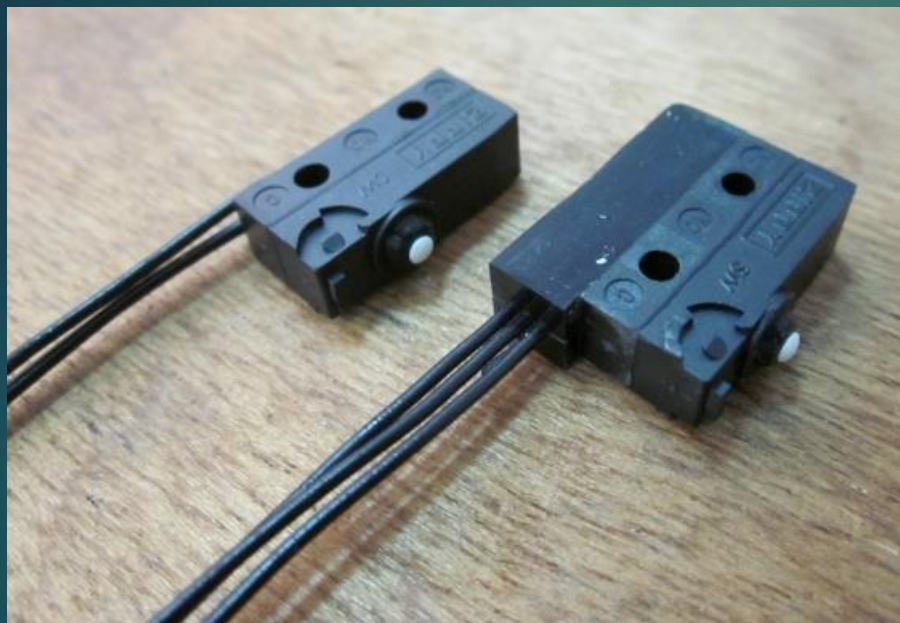
Water Resistance  
Coil Solenoid



Tire Pressure  
Gauge Sensor

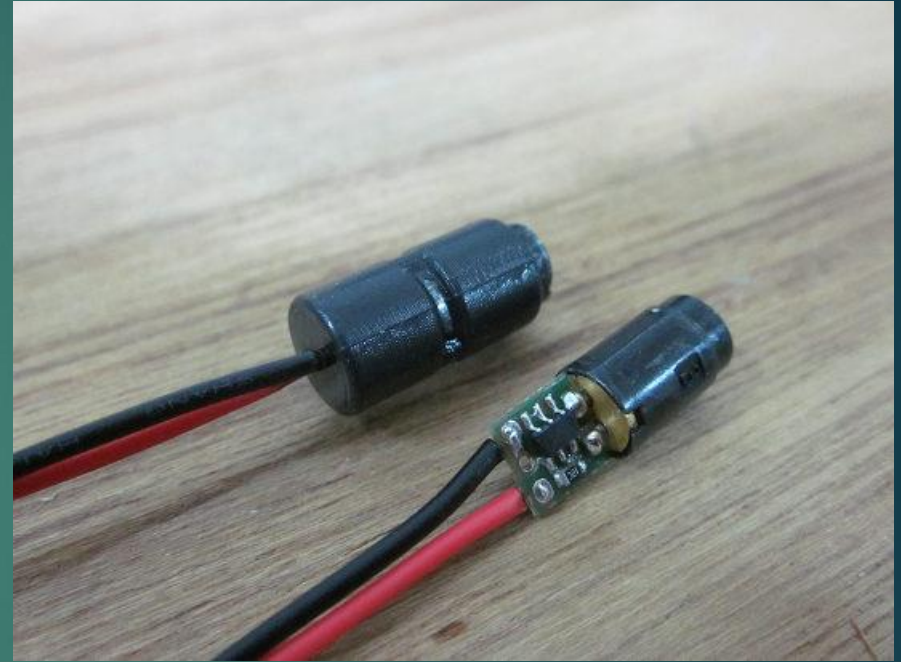


# Micro Switch

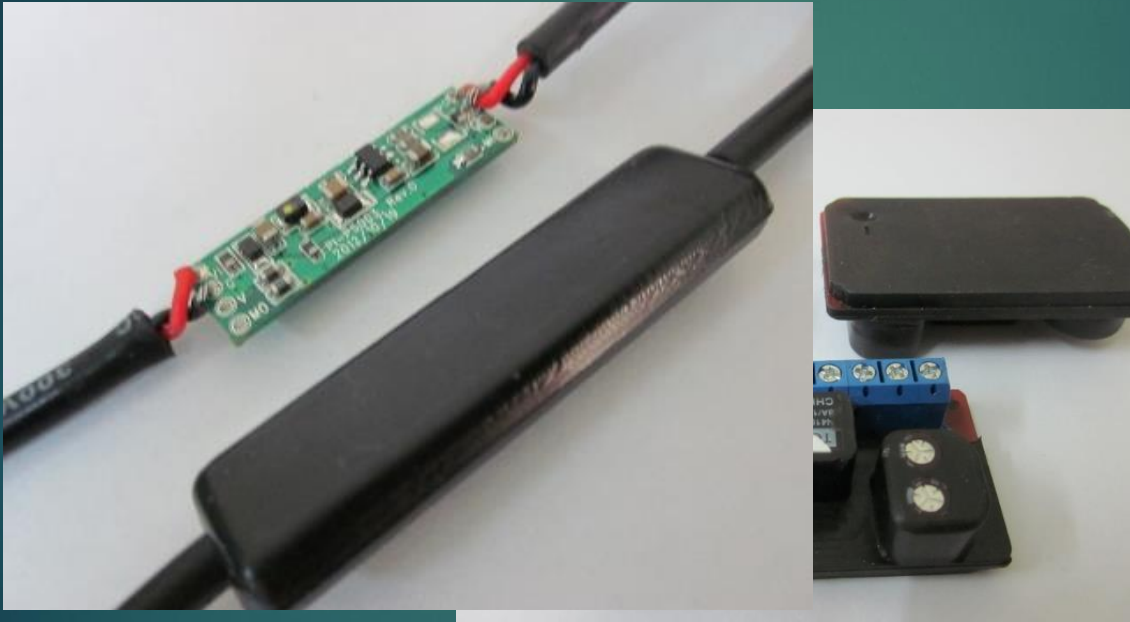




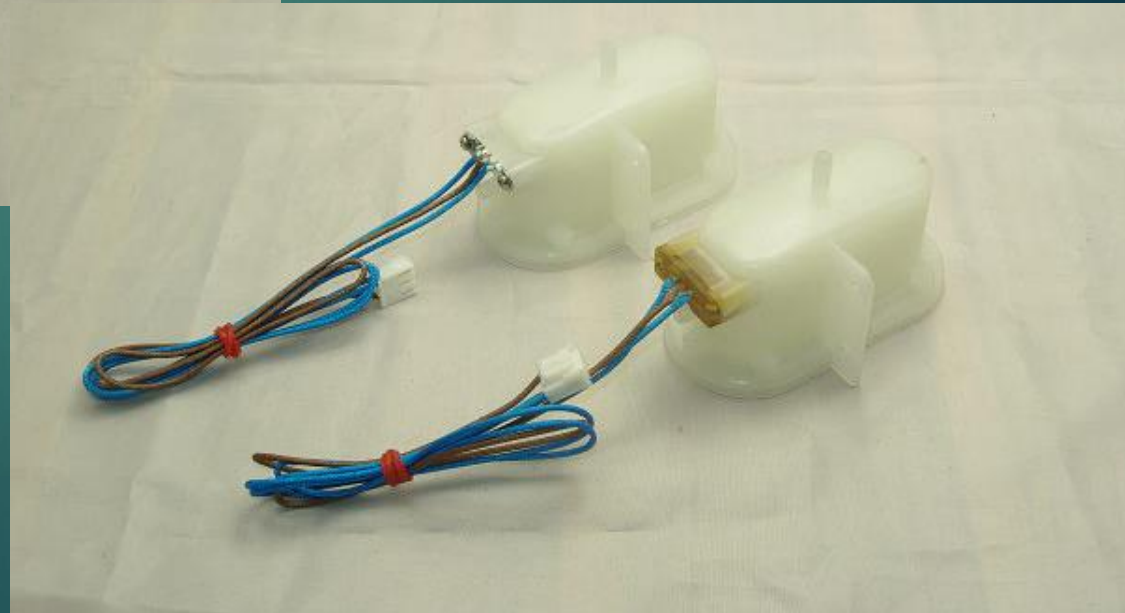
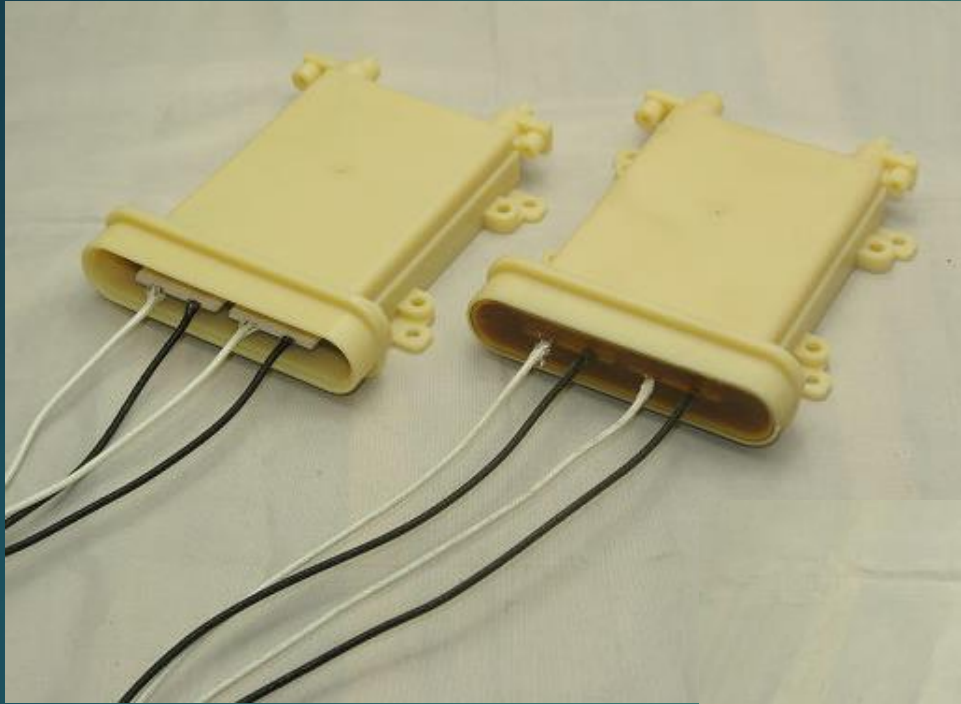
# Laser Module



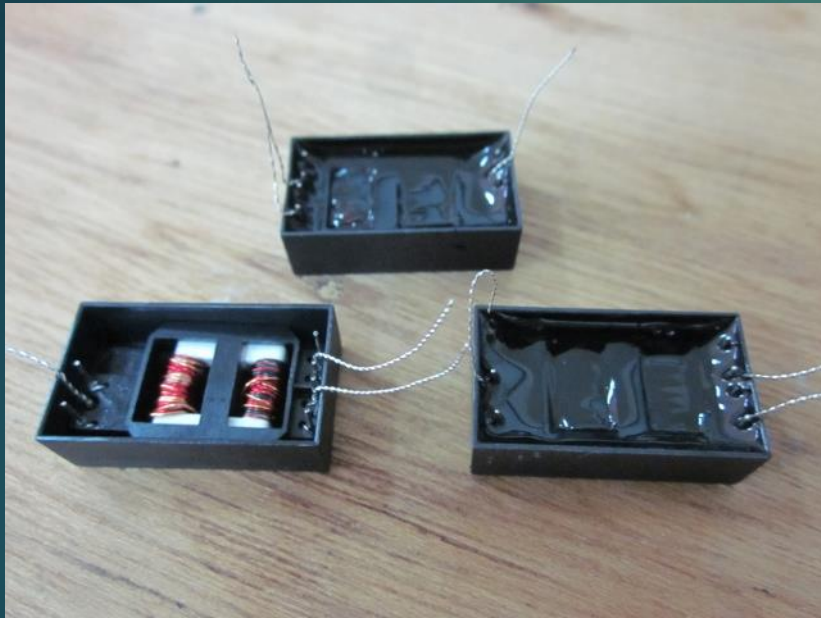
# Water Resistance for Circuit board



# Medical Warmer



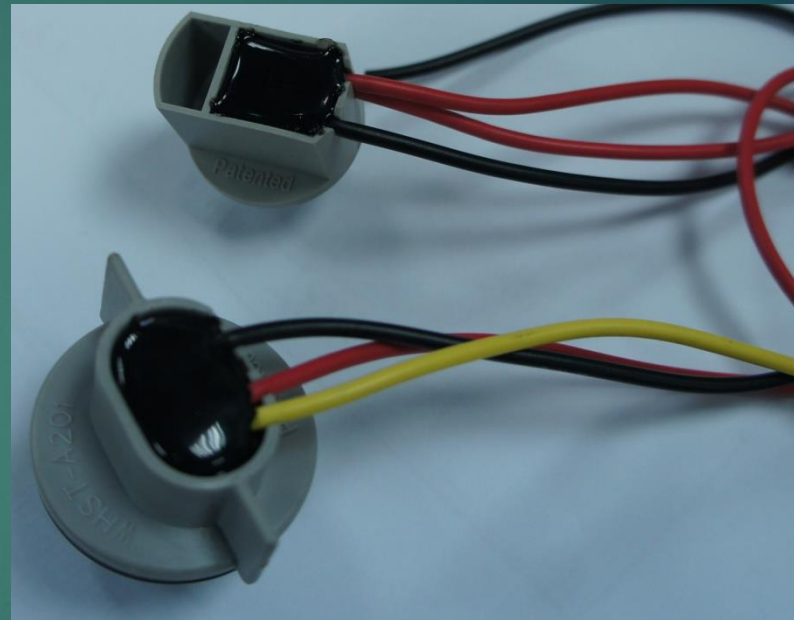
# Coil Solenoid



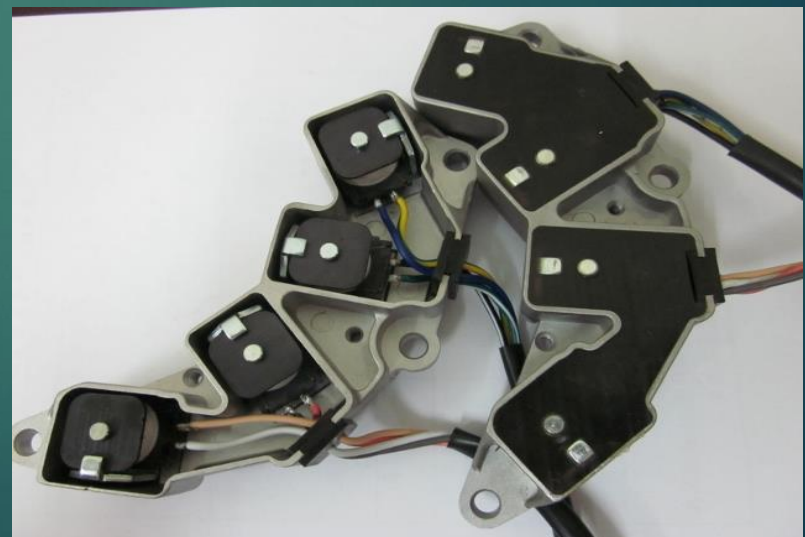
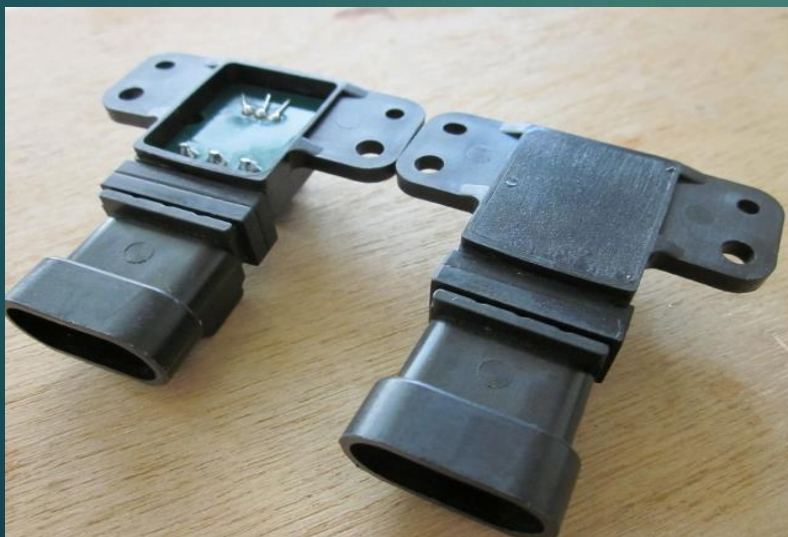
Automobile Meter  
wire



# Low Pressure Water Resistance Application



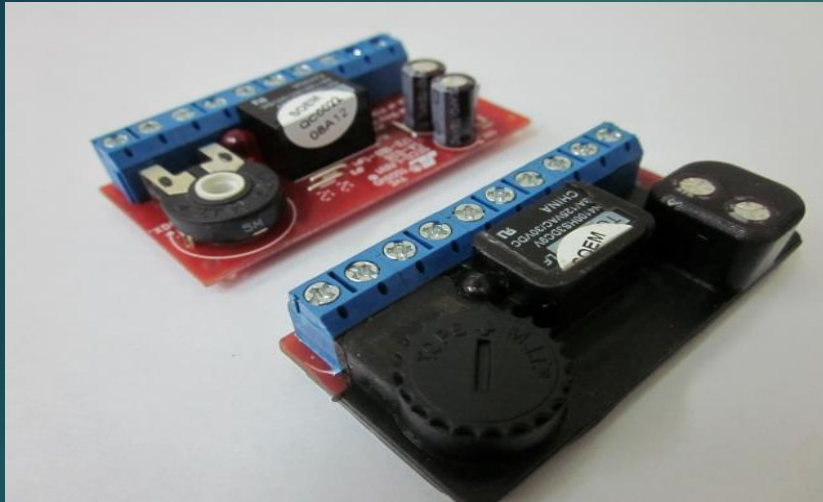
# Low Pressure Water Resistance Application : Electronic Parts for Automobile



# Low Pressure Water Resistance Application : IP 68



# Low Pressure Water Resistance Application





# Low Pressure Water Resistance Application



# Low Pressure Water Resistance Application

